

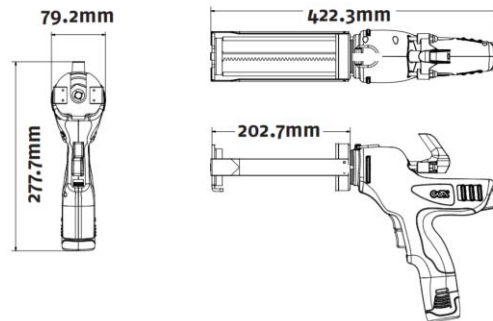
## Easipower Plus COAXIAL CCE 380



### Specifications:

Maximum Thrust: 2.5kN  
Barrel Length: 202.7mm  
Voltage: 10.8V  
Battery Charge Time: 30 minutes  
Battery Type: Li Ion  
Tool Weight: 1.82kg (with 1.5Ah battery)  
Frame Material: Epoxy Coated Steel  
Handle Material:  
Base Moulding = Polycarbonate (P)Acrylonitrile-butadiene-styrene (ABS),  
Soft Grip Overmould = Thermoplastics elastomers (TPE)  
Colour: Handle = Black/Grey, Frame = Grey  
Certificates: CE, IEC60335, UL, C-Tick, ISO, REACH  
Certificates: CE, IEC60335, UL, C-Tick, ISO, REACH  
Packaging Options:  
1 per box or plastic carry case (optional at extra charge)

### Dimensions (mm/in)



### Compatible cartridges

