

AirFlow™ 1 PPA 1500

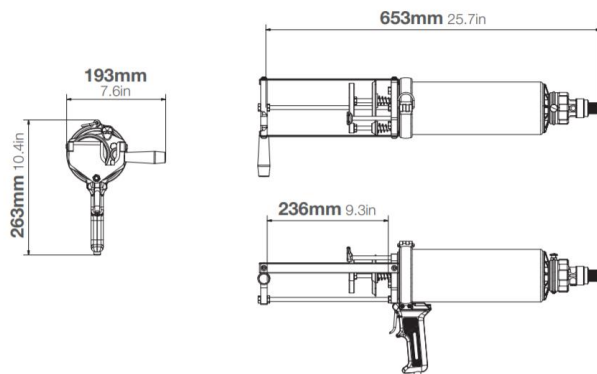
A 2-component pneumatic bead 900/1050/1500mL dispenser for cartridges.



Specifications:

Weight: 3.3kg / 7.3lbs
Frame Length: 236mm / 9.3in
Maximum Thrust: 5kN
Maximum Pneumatic Pressure: 6.8bar / 100psi
Air Consumption: 40 litres/min
Handle Material: Aluminum
Frame Material: Steel
Tool Component Approvals: CE, REACH
Cartridge Capacity: 900mL (30.4oz), 1050mL (35.5oz), 1500mL (52.7oz)
Cartridge Ratio: 1:1, 2.5:1, 5:1
Viscosity: Medium/High
Standard Color: Black/Blue
Customized versions on demand

Dimensions (mm/in)

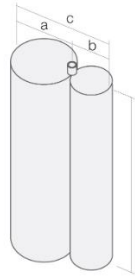


Compatible cartridges



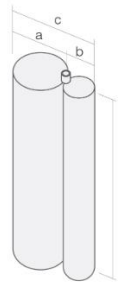
MIXPAC J-System: 1500mL 1:1

	mm	inch
l	217mm	8.54inch
a	Ø79.4mm	Ø3.13inch
c	159.4mm	6.28inch



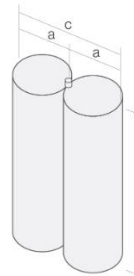
Compatible 1050mL 2.5:1

	mm	inch
l	216mm	8.5inch
a	Ø79mm	Ø3.11inch
b	Ø51.0mm	Ø2.01inch
c	130mm	5.12inch



Compatible: 900mL 5:1

	mm	inch
l	216mm	8.5inch
a	Ø79.0	Ø3.11inch
b	Ø38mm	Ø1.5inch
c	118mm	4.65inch



Compatible: 1500mL 1:1

	mm	inch
l	215mm	8.46inch
a	Ø79mm	Ø3.11inch
c	160mm	6.3inch