

# AirFlow™ 1 PPA 600A

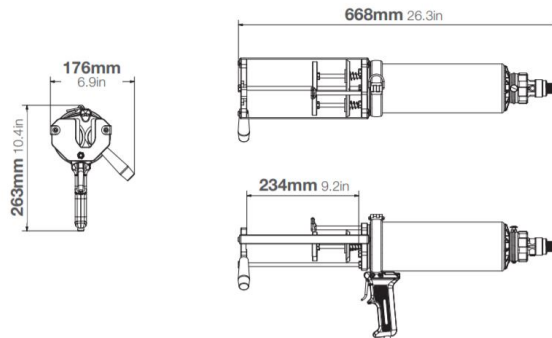
A 2-component pneumatic bead 750/900/1200mL dispenser for cartridges.



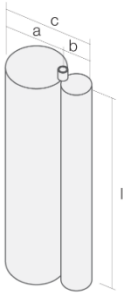
## Specifications:

Weight: 3.6kg / 7.9lbs  
Frame Length: 234mm / 9.3in  
Maximum Thrust: 5kN  
Maximum Pneumatic Pressure: 6.8bar / 100psi  
Air Consumption: 40 litres/min  
Handle Material: Aluminum  
Frame Material: Steel  
Tool Component Approvals: CE, REACH  
Cartridge Capacity: 750mL (26.4oz), 900mL (31.7oz), 1200mL (42.0oz)  
Cartridge Ratio: 1:1, 2:1, 4:1  
Viscosity: Medium/High  
Standard Color: Black/Blue

## Dimensions (mm/in)

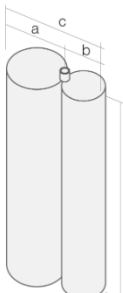


# Compatible cartridges



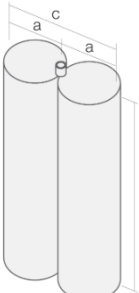
Compatible: 750mL 4:1

	mm	inch
l	217mm	8.54inch
a	Ø68mm	Ø2.68inch
b	Ø34mm	Ø1.34inch
c	102mm	4.0inch



Compatible: 900mL 2:1

	mm	inch
l	225mm	8.86inch
a	Ø69mm	Ø2.72inch
b	Ø50mm	Ø1.97inch
c	119mm	4.69inch



Compatible: 1200mL 1:1

	mm	inch
l	217mm	8.54inch
a	Ø68mm	Ø2.68inch
c	136.0	5.35 inch