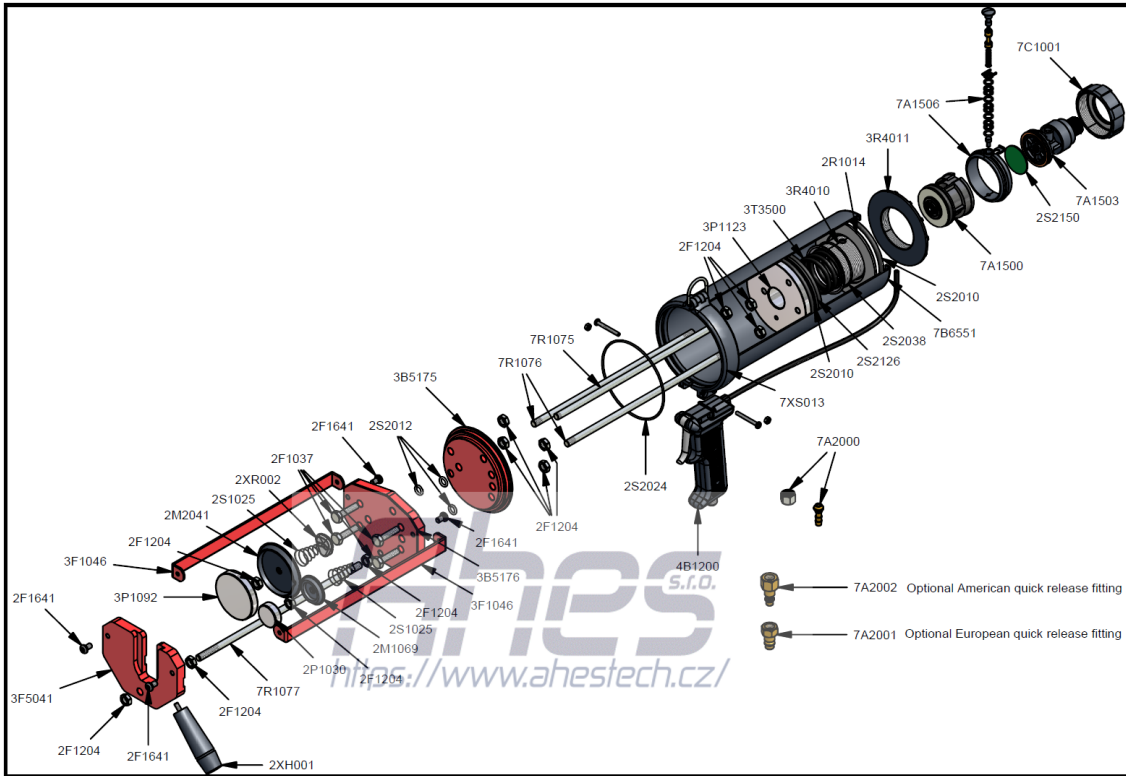


PPA 600 A 600:150 (4:1)



Parts List			2XH001	Handle	1	7A2000	Standard Nut and Tail Connection	1
STOCK No	DESCRIPTION	QTY	2XR002	Return Pusher	1	7A2001	European Quick Release Fitting Assembly	1
2F1037	M8 x 30mm Bolt	4	3B5175	Bulkhead Bung	1			
2F1204	M8 Lock Nut	12	3B5176	Bulkhead Plate	1	7A2002	US Quick Release Fitting Assembly	1
2F1641	M6 x 10mm Button Head Screw	4	3F1046	Frame	2	7B6551	Barrel 272mm	1
2M1069	150ml Cartridge Support	1	3F5041	Front Plate	1	7C1001	Air Gun Back Cap	1
2M2041	600ml Cartridge Support	1	3P1092	Plunger Ally 60mm	1	7R1075	Rod 265mm	1
2P1030	Plunger Ally 29mm	1	3P1123	Piston (Including Air Return fitting)	1	7R1076	Plunger Rod 262mm	2
2R1014	Reducer Flange	1	3R4010	Reducer	1	7R1077	Rod 267mm	1
2S1025	Cartridge Locator Spring	2	3R4011	Plastic Backing Ring	1	7XS013	Barrel Strap (including screws/nuts)	1
2S2010	O Ring	2	3T3500	Coiled Tube	1			
2S2012	O Ring	3	4B1200	Air Gun Butt Assembly	1			
2S2024	O Ring	1	7A1500	Dump Valve Body assembly	1			
2S2038	O Ring	1	7A1503	Regulator Assembly (including O ring and washer)	1			
2S2126	3 7/8" Piston U seal	1						
2S2150	Dump Valve Diaphragm	1	7A1506	Spool valve assembly	1			

